

**INSTALLATION INSTRUCTIONS**

TITLE: Infinity Piping System – Installation Instructions

**Purpose:** This document covers the installation instructions for the **Infinity piping system** by Applied System Technologies

**Scope:** This document covers the Infinity Piping System, Sizes **20mm** through **63mm**

**Instructions:**

**Before installation of any Infinity Tube or Fittings, the following instructions must be carried out:**

**WARNING !!**

**Failure to follow instructions and warnings could cause system failure, resulting in serious personal injury and/or property damage.**

**Every installation of this product is different and may contain certain unique hazards. It is your responsibility to exercise caution and work safely.**

**Applied System Technologies cannot guarantee your safety and recommends all installations be performed by trained installation professionals.**

**INSTALLATION INSTRUCTIONS**

TITLE: Infinity Piping System – Installation Instructions

**If you have questions or safety concerns do not attempt to install or test this product. Contact customer support for more information. 704-947-6966**

The following are the minimal required Personal Protective Equipment: Additional site-specific safety equipment may be required. Always wear safety glasses, gloves, hardhat, foot protection, and hearing protection.

Never work alone.



**Important:** This Installation Instruction sheet only applies to tube to tube connections. All other fittings such as (but not limited to): Threaded Connections, Saddle Clamps, Hanging Systems and Quick Connections are not covered in this installation manual. Please call Customer Support for more information or questions (704-947-6966)

### **Fitting size 20mm through 40mm:**

1. **Inspect fittings to insure components are free from damage.**

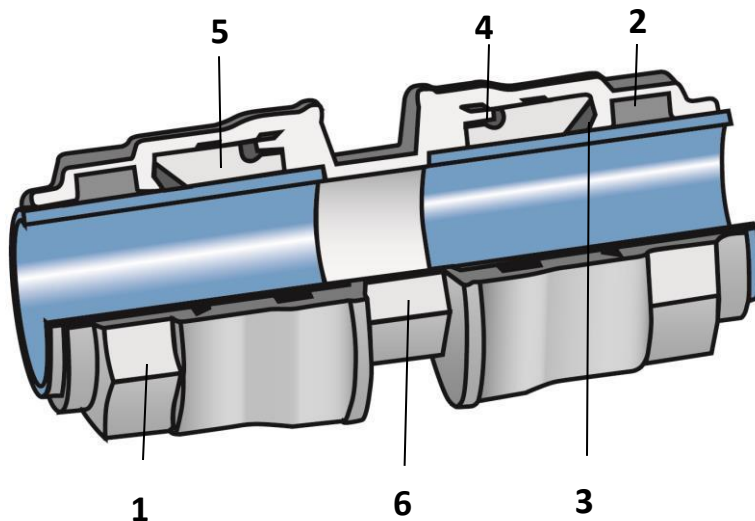
**Note:** Fitting and tube damage can occur during shipping or rough handling. Special care should be given to protect the end of the tubing as well as the outer edge of the fittings from damage.

2. **System should be supported at a minimum spacing of 8'. As installations vary greatly, additional supports may be required when adding multiple fittings within close proximity. Local codes will always supersede manufacture recommendations.**

**INSTALLATION INSTRUCTIONS**

**TITLE: Infinity Piping System – Installation Instructions**

**Fitting Components:**



**Component part and material**

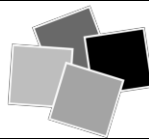
<b>1</b> Nut: Nickel-Plated Brass	<b>4</b> O-Ring Seal: NBR
<b>2</b> Seal: High Nitrile	<b>5</b> Safety Ring: Technopolymeric
<b>3</b> Clamping Washer: Inox AISI 304	<b>6</b> Body: Nickel-Plated Brass

**3. Deburr tubing outer diameter (OD) and connect to fittings**

- **CAUTION:** Do not loosen the compression nuts prior to pipe installation. The fitting compression nuts are pre-torqued at the factory.
- To install the pipe, push and rotate the tube into the fitting straight, until fully seated.
- **NOTE:** The back of each nut will be the bottom out point for the tubing insertion
- Verify the compression nuts are tightened to, but not above the recommended torque, listed below:

**Recommended Torque:**

**20mm=27in lbs / 25mm=27in lbs / 32mm=35in lbs / 40mm=58in lbs**



## ***INSTALLATION INSTRUCTIONS***

**TITLE: Infinity Piping System – Installation Instructions**

### **Fitting size 50mm and 63mm:**

1. Inspect fittings to insure components are free from damage.

**Note:** Fitting and tube damage can occur during shipping or rough handling. Special care should be given to protect the end of the tubing as well as the outer edge of the fittings. (Refer to diagram above)

2. Deburr tubing outer diameter (OD) and connect to fittings

- Loosen the compression nuts prior to pipe installation.
- Push and rotate the pipe into the fitting until fully seated.
- Tighten the fitting nut to a minimum torque of 55 ft.lbs.

### **Tube to Fitting Removal:**

**Ensure system is fully depressurized!!!**

- Lock out/ Tag out procedures and OSHA Regulations should be read, followed prior to installation or removal of any Tube or Fitting.
- Ensure system is fully depressurized!!!
- Loosen the fitting compression nut 1 to 1.5 turns, push the pipe into the fitting and then pull tubing from fitting.

For further clarification on this requirement please call  
***Applied System Technologies – 704-947-6966***

